

GE Consumer & Industrial Power Protection

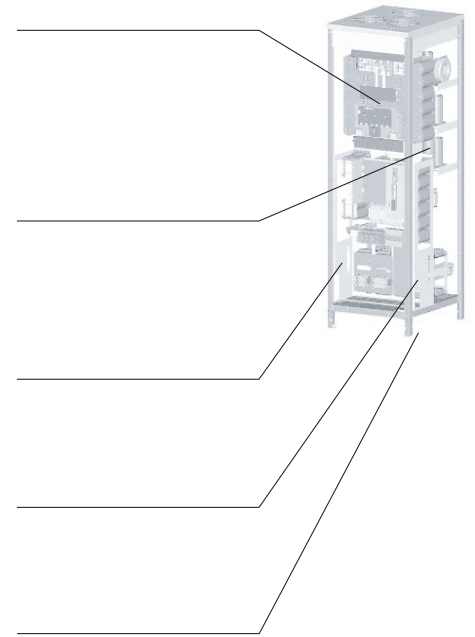
The GE Digital Energy LP 33 Series is a highly reliable and cost effective three phase UPS system providing critical power protection for a wide range of applications. Every LP 33 system operates in VFI mode (Voltage Frequency Independent) yielding the maximum levels of power reliability for all mission-critical processes. The GE Digital Energy LP 33 was developed using GE's Design for Six Sigma methodology

to ensure that the product fully meets customer requirements and expectations.

Through their complete life cycle, all GE UPS systems are fully supported by GE 's dedicated UPS service teams which provide world-class, 24x7 preventive and corrective services. leveraging training and application expertise.

features & benefits

- GE's unique booster-technology provides a high input power factor (0.98) and low input current harmonic distortion. This prevents the need to oversize gensets. In addition users do not get charged for apparent power by utility companies. The low input current harmonic distortion is constant for all load situations from 20% to 100% load
- The LP 33 technology ensures a highly efficient UPS system, thus saving energy cost for the user. As the unit generates less heat than legacy UPS systems, airconditioners are using less energy as well. This is even further increasing the cost savings
- Input/Output terminals are easily accessible from the front, as well as all other serviceable parts. Full front access provides the possibility to place the unit against a wall or in a "back to back" configuration, saving floorspace
- EMC filters are standard installed in the UPS making sure that the system complies also with the future standards on emission of radio frequencies. The LP Series complies with EN 62040 Class A ensuring compatibility in any environment
- The footprint of the LP 33 is one of the most compact available in the market. Combined with low weight it can be placed on any floor. The small footprint provides you with more space for other equipment



Digital Energy LP 33 UPS

40/60/80/100/120 kVA three phase 400 Vac
Uninterruptible Power Supply (UPS)



GE imagination at work



LP Series 60-80 kVA

reliability

The LP Series UPS offers reliability at its best. The unit is equipped with a redundant power supply ensuring the load being transferred in an instant to the static bypass in the event of a breakdown of the power electronics. To further increase system reliability, 2 or more units can be connected in parallel. In this way a redundant fault tolerant system is created with maximum availability and reliability. The decentralized bypass offers maximum flexibility to the end-user for future expansion of the system.

technical specifications

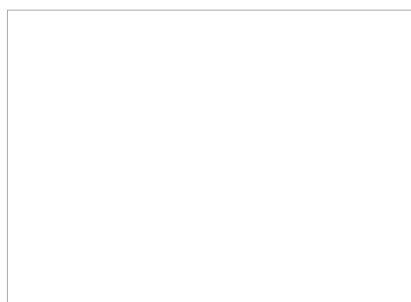
Topology	: VFI (Voltage Frequency Independent) according to EN 62040-3
Technology	: booster IGBT technology
Operating Modes	: double conversion, automatic bypass, ECO mode, frequency converter and parallel operation up to 4 units

Output power rating (kVA) (at PF = 0.6-0.8 lagging)	40	60	80	100	120
Output power rating (kW)	32	48	64	80	96
Output power factor	0.8				
Dimensions (w x d x h), mm	600x725x1400	600x725x1800		725x725x1800	
Weight (kg)	220	280	290	400	450
Audible noise	<60 db(A)	<65 db(A)			
Efficiency	93%				
Efficiency on ECO Mode	99%				
Protection degree	IP 20				
Input voltage range	320 - 460 Vac				
Input frequency range	50/60 Hz +/- 10%				
Input power factor	0.98				
Input current THD at 20% - 100% load	< 10% (< 5% optional)				
Output voltage	3x380/400/415Vac, user selectable				
Output frequency	50/60 Hz +/- 0.1%				
Output voltage THD at linear load	< 1%				
Output voltage THD at non-linear load	< 2%				
Output voltage regulation static	< +/-1%				
Output voltage regulation dynamic (100% step load)	< +/-0.5% (recovery time < 3ms)				
Overload capability on inverter	125% 10 min., 150% 1 min.				
Batteries	40 blocks of 12V, common battery in parallel system optional				
Ambient operating temperature	0 - 40 °C				
Colour	RAL 9003, white				
Safety standards	EN 62040-1 / EN 60950 / IEC 60950				
Safety	backfeed protection standard included				
EMC standards	EN 62040-2 Class A				
Interfacing	RS232; 4 alarm contacts, SNMP interface (optional)				

Specifications subject to change without prior notice



your distributor:



manufacturer:

GE Digital Energy SA
Via Cantonale 50
6595 Riazzino (Locarno)
Switzerland
T +41 (0) 91 850 51 51
F +41 (0) 91 850 51 44
E gedeinfo@ge.com

Visit us online at:
www.gedigitalenergy.com



GE imagination at work